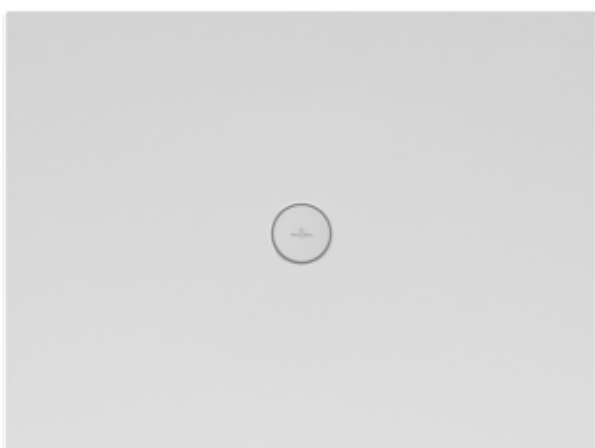


SHOWER TRAY, SHOWER TRAYS (CERAMICS), SHOWER TRAYS, RECTANGULAR SHOWER TRAYS, FLUSH-FITTING SHOWER TRAYS, ACCESSIBLE SOLUTIONS, ACCESSIBLE SHOWER TRAYS SUBWAY INFINITY

PRODUCT INFORMATION

1 . POSITION



Model	6229F2
Width	750 mm
Height	40 mm
Length	900 mm
Weight	27,84 kg
Description	<p>Ceramic</p> <p>These shower trays are cut along 2 sides (unglazed) and have to be installed on left against the wall.</p> <p>Total price includes the surcharge for cutting!, Please note: the outlet is positioned asymmetrically, not centrally!, The installation height of the shower can be reduced by 30mm if outlet fitting 9226 00 XX is used.</p> <p>Please note: this outlet fitting does not conform to EN 274., *Shower trays marked with an asterisk can only be installed with Mepa installation system art. no. 9223 76 or in a mortar bed.</p> <p>Ceramic available in White Alpin (01) with anti-slip class B (PN18), Taupe (TP), Ardoise (W9) and ViPrint décors with anti-slip class A (PN12).</p> <p>slip-resistant</p> <p>the installation height of the shower tray can be reduced by 30 mm if the outlet fitting 9226 00 XX is used.</p> <p>EN 251, DIN 18040</p>
Material	Ceramic
Specification texts	<p>Subway Infinity; Rectangular shower tray; Ceramic; Size: 900 x 750 x 40 mm; Rectangle; the installation height of the shower tray can be reduced by 30 mm if the outlet fitting 9226 00 XX is used.;</p> <p>EN 251, DIN 18040</p>

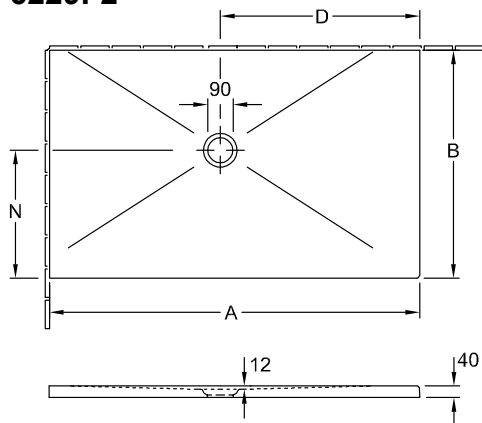
COLOURS

X-Plane Anthracite-Effect	6229F2VPA3	4051202833671
Lodge Dark Brown	6229F2VPA6	4051202833664
Bernina Beige-Effect	6229F2VPA7	4051202833657
Bernina Anthracite Matt	6229F2VPA8	4051202833640
Upper Side Greige-Effect	6229F2VPB6	4051202833633

Upperside Anthracite Effect	6229F2VPB9	4051202833626
Townhouse	6229F2VPC0	4051202833619
Blue Lagoon	6229F2VPC9	4051202833541
Star Flower	6229F2VPD0	4051202833534
Sinus Black	6229F2VPD1	4051202833527
White Alpin	6229F201	4051202469382
Taupe Anti-slip	6229F2TP	4051202469399
Palazzo	6229F2VPC3	4051202833589
Drift Wood	6229F2VPC6	4051202833572
Highland Stone	6229F2VPC7	4051202833565
Nordic Creek	6229F2VPC8	4051202833558
Sinus White	6229F2VPD2	4051202833510
Eternity	6229F2VPD3	4051202833503
Ardoise Anti-slip	6229F2W9	4051202469405
Lodge Beige-Effect	6229F2VPA1	4051202833695
X-Plane Creme-Effect	6229F2VPA2	4051202833688
Abbey Grey	6229F2VPC1	4051202833602
Abbey Blue	6229F2VPC2	4051202833596

TECHNICAL DRAWINGS

6229F2



	A	B	D	N
6232 14	1500	900	800	500
6228 F4	900	900	500	500
6229 F2	900	750	500	400
6229 F1	900	700	500	400